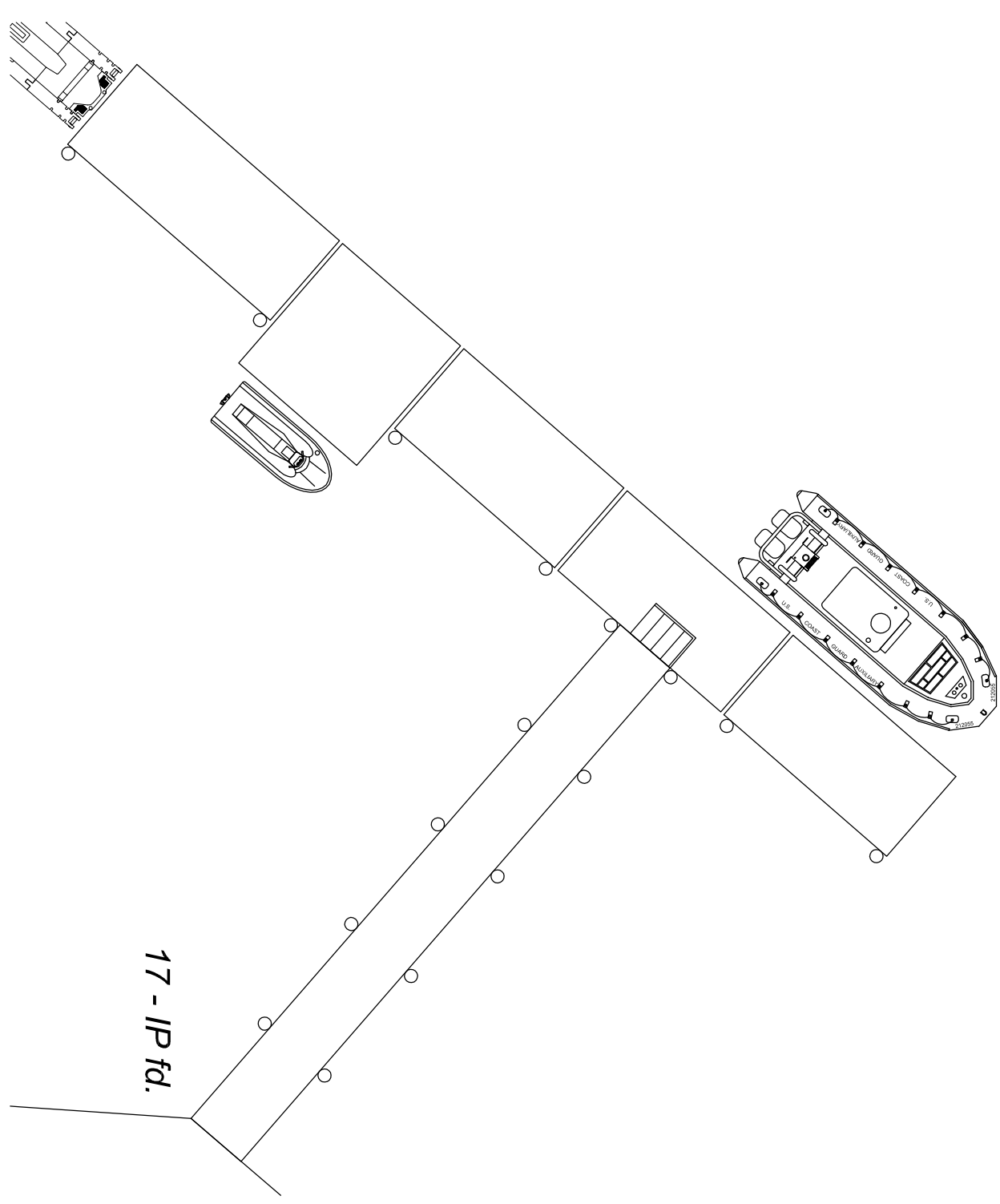
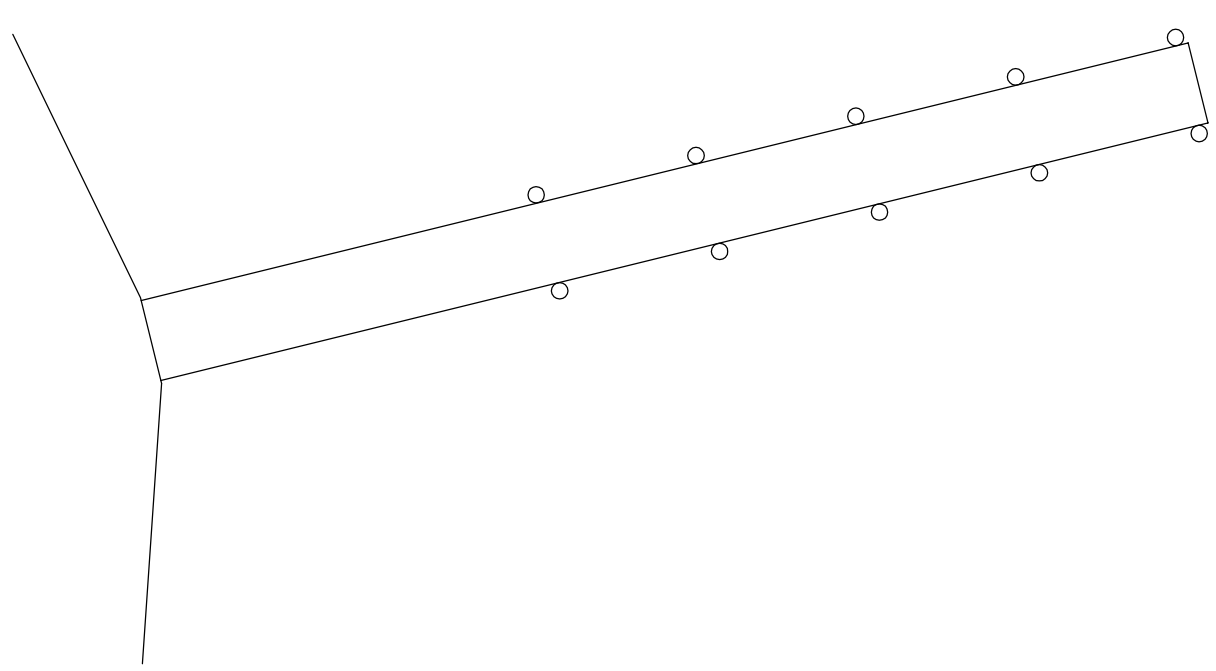


1 2 3 4 5 6 7 DO NOT SCALE DRAWING



MAIN FLOATING DOCK PLAN
SCALE: 1/8" = 1'-0"



TRANSIT DOCK PLAN
SCALE: 1/8" = 1'-0"

SHEET _____ OF _____	
<input type="checkbox"/> APPROVED AS SHOWN.	APPROVAL DATE _____
<input type="checkbox"/> APPROVED WITH CHANGES SHOWN.	APPROVAL SIGNATURE _____
<input type="checkbox"/> APPROVED WITH CHANGES RESUBMITTED DRAWINGS.	OWNER _____
	ARCHITECT _____
	CONTRACTOR _____

REV.	REVISION	DATE	NAME
1			

SCALE 1/8" = 1'-0"
DRAWN BY: D. NIMAX
DATE: 03-03-2008

REVISIONS:
REF: #08-XXXX
SHEET: 4 OF

SMITH MOUNTAIN LAKE
AUXSARDET DOCK SPACE
PLAN VIEW & DETAILS



Bank Design & Equipment, Inc.
1401 Hopeman Parkway
Waynesboro, Virginia 22980
(540) 943-3150 DCJS# 11-2166

U.S. Coast Guard Auxiliary
Smith Mountain Lake AuxSARDet
Moneta, VA

1 2 3 4 5 6 7

E D C B A